

4

3

2

1

NON-SECURE SIDE

SECURE SIDE

GENERAL NOTES:
LEFT GATE SHOWN
GATE TO BE BRACED AT TOP
CLOSURE SHOWN IS STANDARD

GATE OPTIONS:
MATERIAL:
STEEL
STAINLESS STEEL

COATING:
HOT DIPPED GALVANIZING
BLACK POWDER

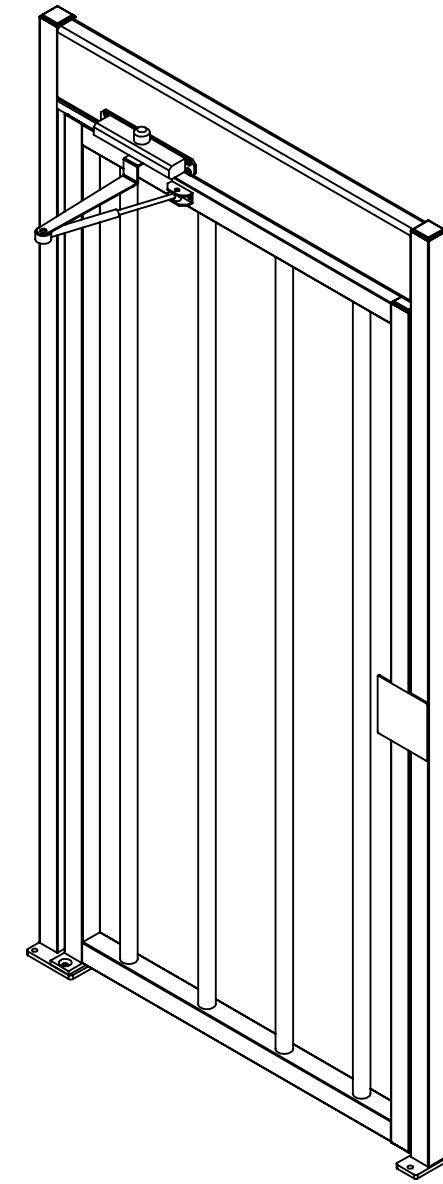
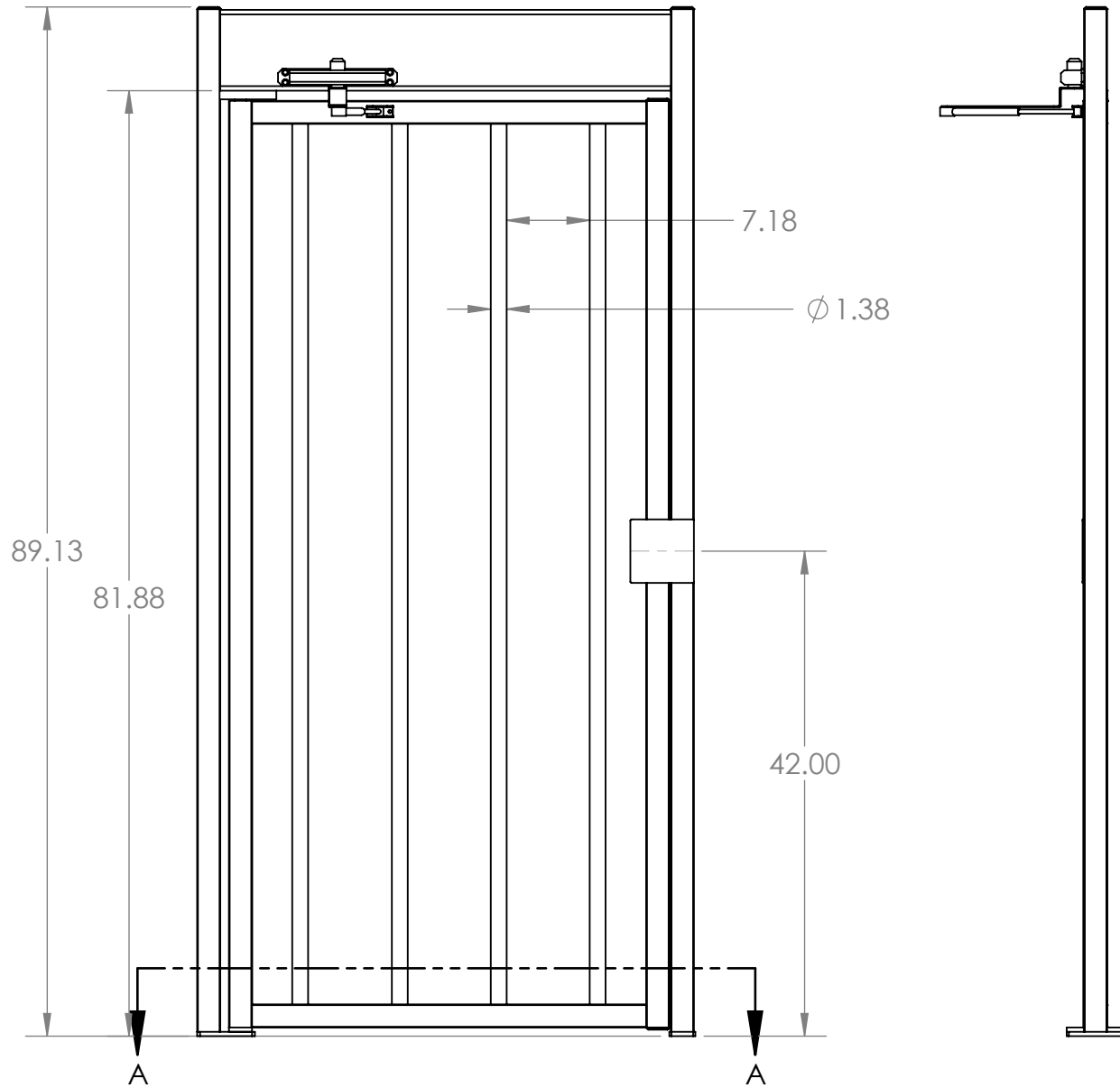
ELECTRICAL:
24 VDC TRANSFORMER
EL. MAGNETIC LOCK WITH TIME DELAY
ACCESS CONTROL W/CARD READER PLATE

CLOSURES:
CONCEALED
MOTORIZED

HANDLES:
STAINLESS STEEL
PANIC BAR

B

A



89.13

81.88

7.18

Ø 1.38

42.00

41.50

36.25

4.00

SECTION A-A
SCALE 1 : 10

FG-300
FULL HEIGHT SIDE ADA ACCESS GATE

SCALE 1 : 15

4

3

2

1