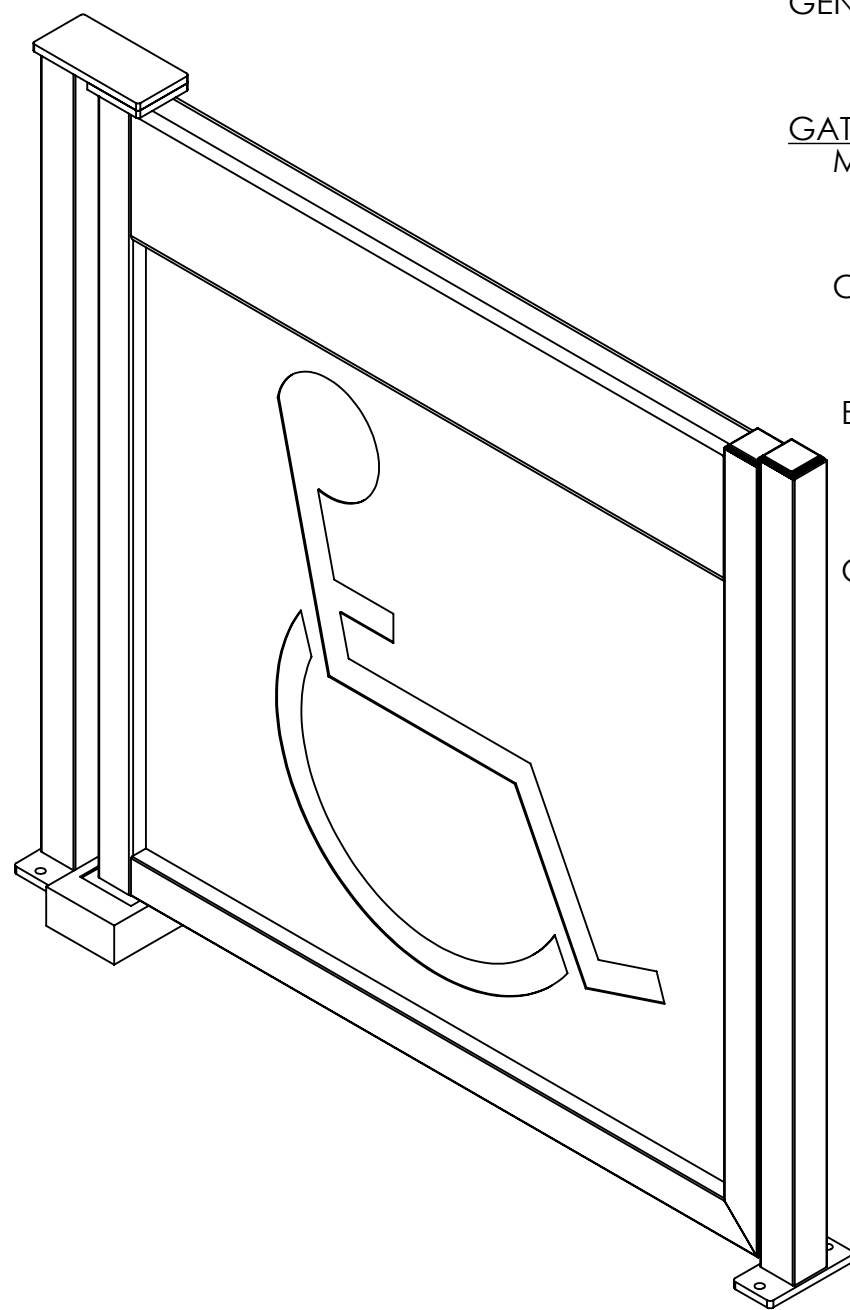
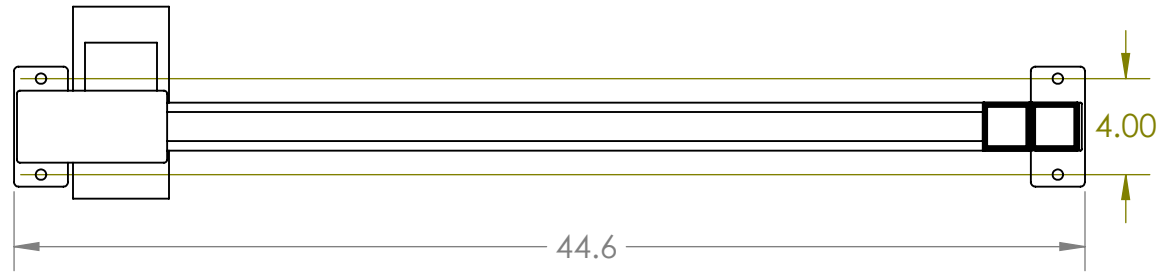


4

3

2

1



GENERAL NOTES:
GATE OPENING 90° OR 180°

GATE OPTIONS:
MATERIAL:
STEEL
STAINLESS STEEL

COATING:
HOT DIPPED GALVANIZING
BLACK POWDER

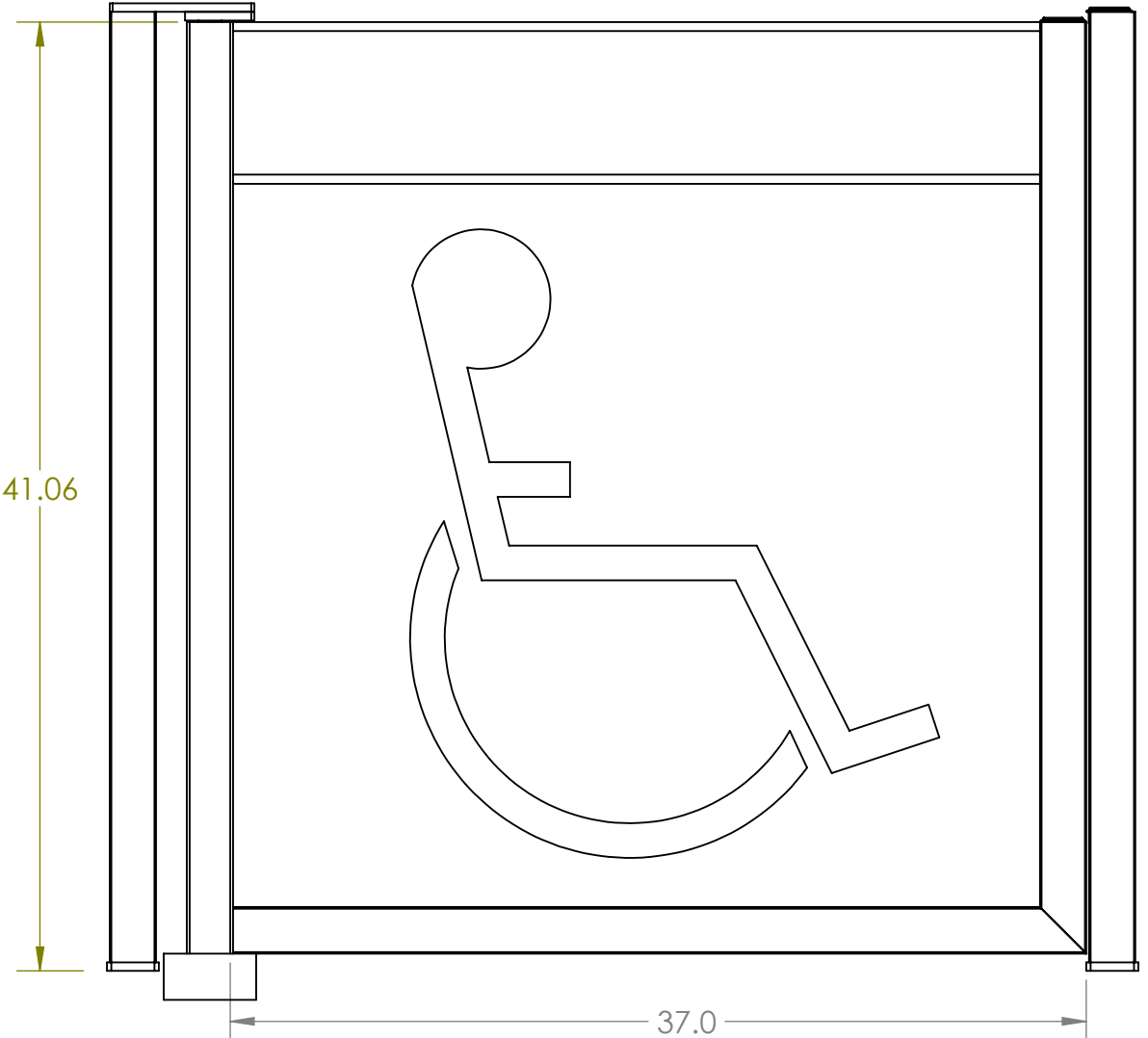
ELECTRICAL:
24 VDC TRANSFORMER
EL. MAGNETIC LOCK WITH TIME DELAY
ACCESS CONTROL W/CARD READER PLATE

CLOSURES:
CONCEALED HYDRAYLIC

HANDLES:
STAINLESS STEEL

B

B



GS-350
SHORT HEIGHT SIDE ADA ACCESS GATE
 INGRESS CONTROL <i>passabilities...</i>
SCALE 1 : 8

A

A

4

3

2

1